

PORTABLE LINE BORING
MACHINES

EASY Compact

from \emptyset 42 mm to \emptyset 250 mm (1,65" - 9,84")



EASY Compact



The **Supercombinata EASY Compact**, thanks to its standard equipment, is suitable to perform internal **line boring** and internal **overlay welding** within a working range from **Ø 42 mm** to **Ø 250 mm** in very small spaces. By means of **extra kits** it is able to perform external line boring, facing of orthogonal planes and creation of circlips grooves. With additional **accessories**, the Supercombinata can be adapted to many different needs of our customers.

TECHNICAL SPECIFICATIONS

DIAMETERS

Boring bar diameter:	Ø 40 x 2200 mm
In line boring:	Ø 42 – 250 mm
External line boring:	Extra kit
Internal welding:	Ø 42 – 250 mm
Facing of orthogonal planes:	Extra kit

ROTATION MOTOR

AC motor:	Single phase
Power at rated speed:	1800 W
Output torque at the bar:	290 Nm with 120 rpm
1° speed:	max 100 rpm (170 Nm)
2° speed:	max 340 rpm (50 Nm)

FEED MOTOR

Gear motor:	DC
Power at rated speed:	90 W
Max Speed:	11 rpm
Feed system:	Electromechanical
Feed:	Manual/Automatic

WELDING TECHNOLOGY

Spiral:	Continuous with variable step
Welding machine:	Compatible with MIG/MAG wire with EURO connector

LONGITUDINAL STROKE

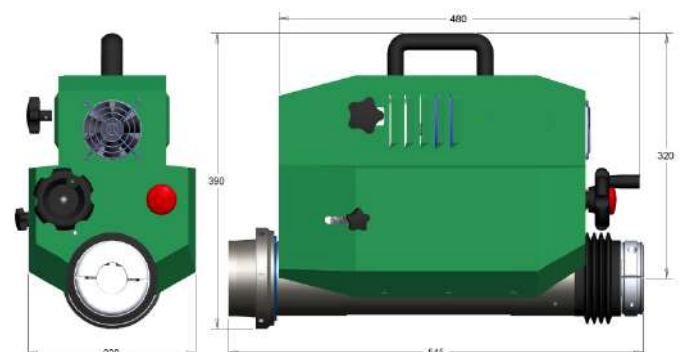
Unlimited:	With 250 mm pitch
------------	-------------------

ELECTRONIC CONTROL PANEL

Voltage:	220/240 V (50/60 Hz)
Main switch:	Available
Emergency switch:	Available
Inverter feed:	RH/LH
Inverter rotation:	CW/CCW
Speed regulator:	Rotation/Feed
Electrical absorption:	2000 W
Control panel 110/120 V:	Upon request

DIMENSIONS

Length:	545 mm
Width:	220 mm
Height:	380 mm
Weight central unit:	34 kg



STANDARD EQUIPMENT

QTY1	MAIN UNIT
QTY1	BORING MACHINE STAND
QTY1	ELECTRONICAL CONTROL PANEL
QTY1	CONTROL PANEL HOLDER
QTY1	CABLE CONTROL PANEL /MACHINE
QTY1	POWER CABLE 220V
QTY1	BORING BAR Ø 40X2200 MM
QTY1	BORING BAR EXTENSION 420 MM
QTY1	PIVOT
QTY1	TOOL HOLDER FOR BORING D. 100-250 MM
QTY1	SPECIAL TOOL HOLDER LH Ø 12X40 MM
QTY1	TOOL HOLDER LH Ø 12X40 MM
QTY1	TOOL HOLDER LH Ø 12X60 MM
QTY1	TOOL HOLDER RIGHT RH Ø 12X100 MM
QTY1	BOX WITH 10 CUTTING INSERTS

QTY 2	MAIN BAR SUPPORT
QTY 2	ADDITIONAL SUPPORT
QTY 1	TELESCOPIC SHAFT FOR WELDING
QTY 5	DIFFUSOR EXTENSION 35 MM
QTY 4	SHORT GAS NOZZLE
QTY 4	LONG GAS NOZZLE
QTY 5	SHORT CONTACT TIP Ø 0.8 MM WIRE
QTY 5	LONG CONTACT TIP Ø 0.8 MM WIRE
QTY 1	O-RING FOR WELDING SHAFT 100X5 MM
QTY 1	CENTRING SYSTEM FOR THROUGH HOLES
QTY 1	TELESCOPIC GAUGE UP TO Ø 250 MM
QTY 1	DIAL GAUGE
QTY 1	DIAL GAUGE SUPPORT
QTY 1	SET OF WRENCHES
QTY 1	SCREWS AND BOLTS



• EXTRA KITS

BORING REDUCTION

KEP00187	Ø 22 - 44 mm (0,87" - 1,73")
KEP00188	Ø 32 - 70 mm (1,26" - 2,76")

FACING

KE500186	Ø 48 - 255 mm (1,89" - 10,04")
----------	--------------------------------

OD MACHINING

KEL00202	Ø 100 - 200 mm - D. 200 mm (3,94" - 7,88")
KEL00203	Ø 150 - 300 mm - D. 300 mm (5,90" - 11,81")

• ACCESSORIES

AE003017	BORING BAR Ø 40X3000 MM
AE000489	EXTERNAL JOINT FOR BORING BAR Ø 30 MM
AE000487	EXTERNAL JOINT FOR BORING BAR Ø 40 MM
AE000490	INTERNAL JOINT FOR BORING BAR Ø 40 MM
AE030015	CAM SYSTEM
GC375C	INTERNAL SUPPORT D. 200-300 MM
GC365C	SET OF 2 CENTRING CONES D. 60-105 MM
SG00127	TERMINAL LANCE D. 30-50 MM
COT90201	LONG CONTACT TIP Ø 1,0 MM WIRE
COT90202	SHORT CONTACT TIP Ø 1,0 MM WIRE



Elsa Srl
Località La Petrizia SS 106
88050 Sellia Marina (CZ) - Italia
Tel: (+39) 0961 962854
Fax: (+39) 0961 968716
info@elsasrl.com

www.elsasrl.com

EN

SUPERCOMBINATA
EASY COMPACT_R1